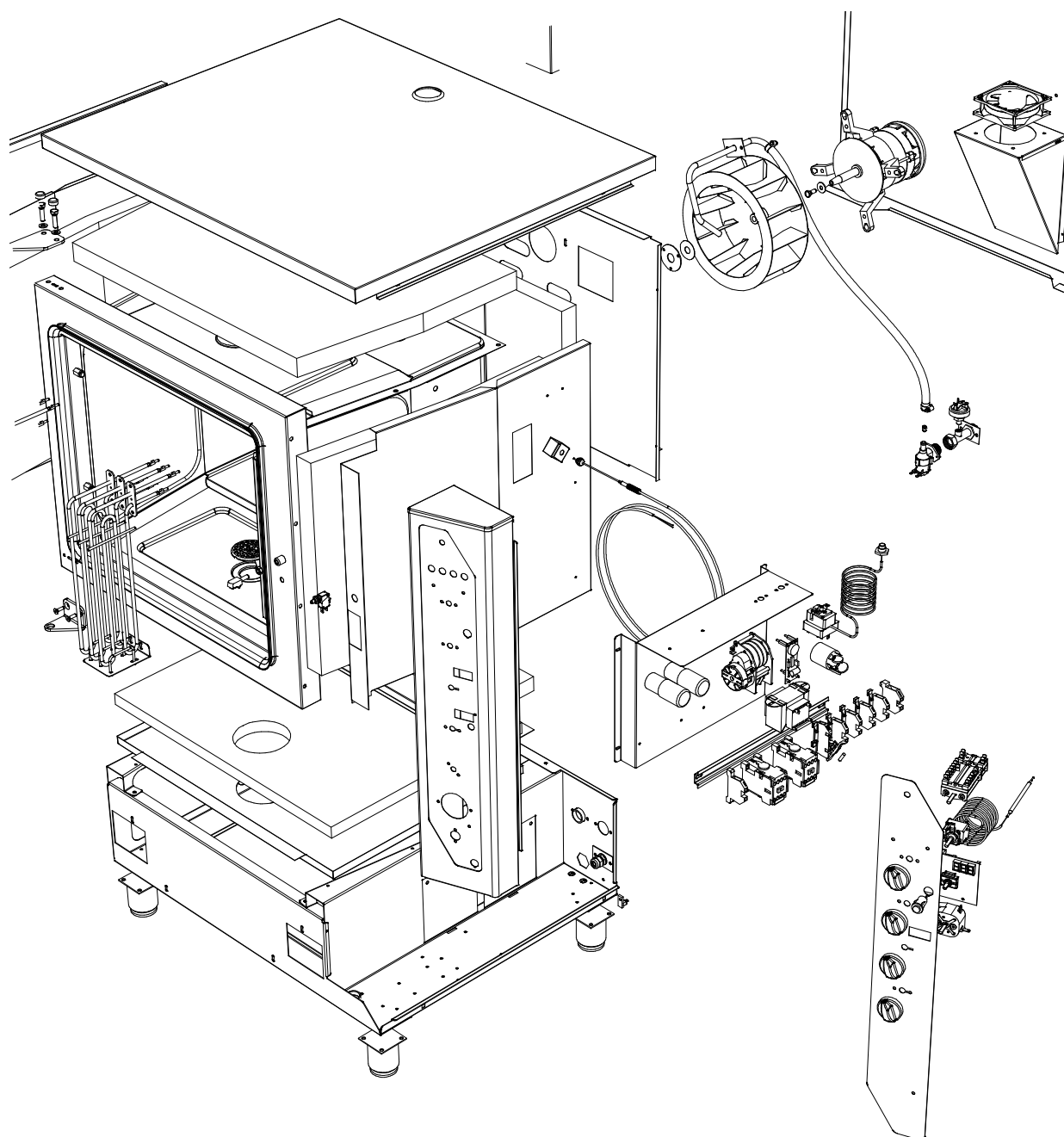


Apparecchi di cottura professionali
Professional cooking equipment



PARTI DI RICAMBIO ORIGINALI
PIECES DETACHEES D'ORIGINE
ORIGINAL SPARE PARTS

N°05



ORIGINAL SPARE PARTS

CONDIZIONI DI VENDITA

I prezzi del presente listino sono indicati in EURO, franco nostro stabilimento, I.V.A. esclusa.

Il costruttore declina tutte le responsabilità riguardanti il trasporto delle merci.

Il presente listino può essere variato senza preavviso alcuno da parte del costruttore e annulla tutti i listini precedentemente emessi.

PAGAMENTO: CONTRASSEGNO

SCONTO: 30%

Nel periodo di GARANZIA i pezzi difettosi devono essere restituiti a cura del cliente. In caso di mancata restituzione, il costruttore addebiterà il costo dei pezzi inviati in garanzia e le relative spese di spedizione.

CONDITIONS DE VENTE

Les prix de ce tarif sont indiqués en EURO, H. T., départ usine.

Selon la réglementation en vigueur, les marchandises voyagent aux risques et périls du destinataire.

Ce tarif peut être modifié sans préavis et il remplace et annule les précédents.

PAIEMENT: CONTRE REMBOURSEMENT.

REMISE : 30%

En période de GARANTIE les pièces défectueuses doivent être rendues par le client. En cas de non-restitution, le constructeur débitera le coût des pièces envoyées sous garantie et les frais d'expédition correspondants.

TERMS OF SALE

The prices of this list are in EURO, ex-works, tax not included.

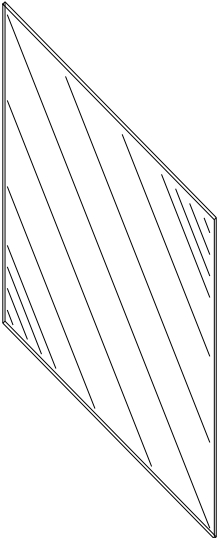
The manufacturer declines all responsibility for the transport of goods.

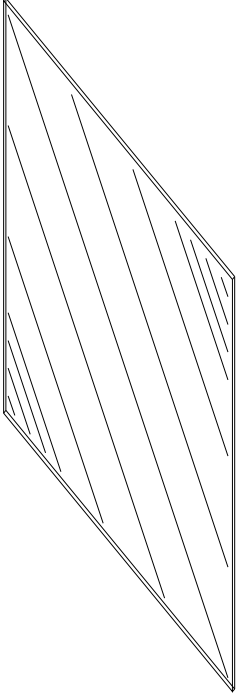
This price list can change without notice and it cancels all previous price lists.

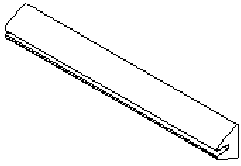
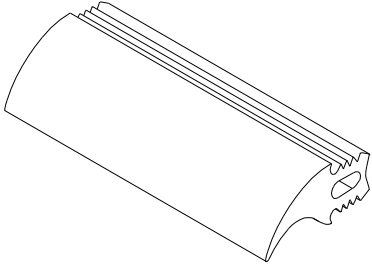
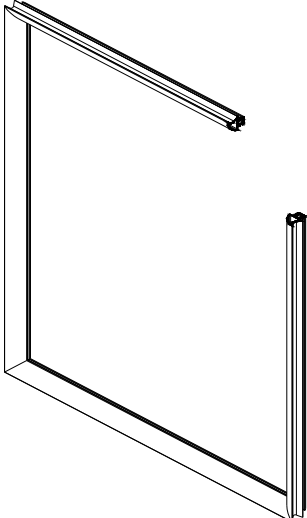
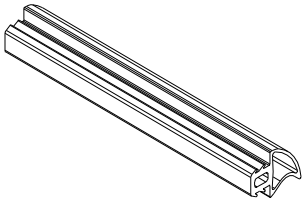
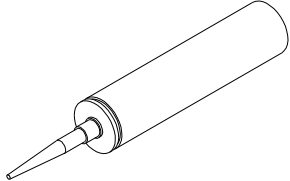
PAYMENT: CASH ON DELIVERY (C.O.D.)

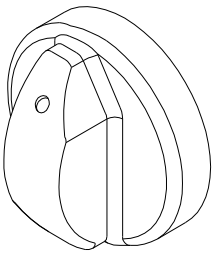
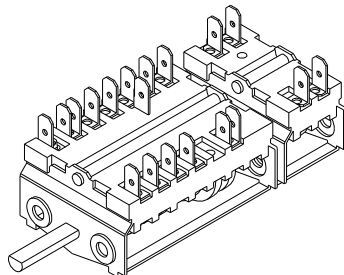
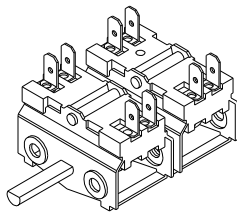
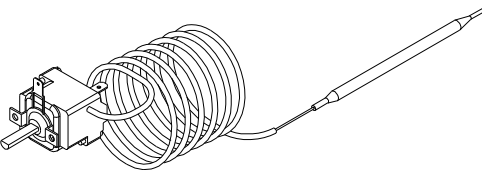
DISCOUNT: 30%

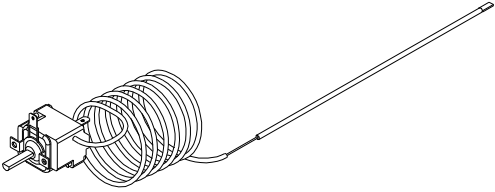
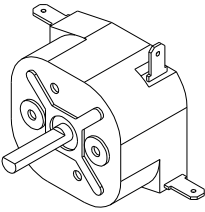
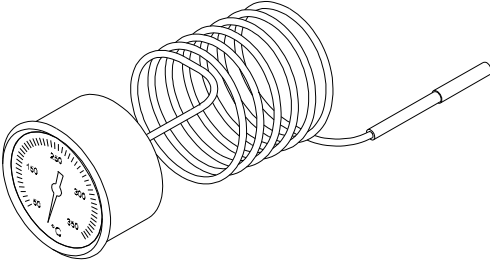
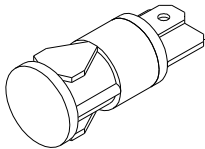
During WARRANTY the defective parts must be sent back by the customer. If they are not returned, the manufacturer will debit the customer with the cost of the parts sent under warranty and the freight charges.

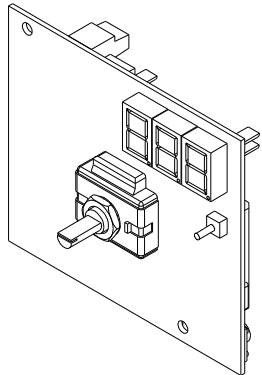
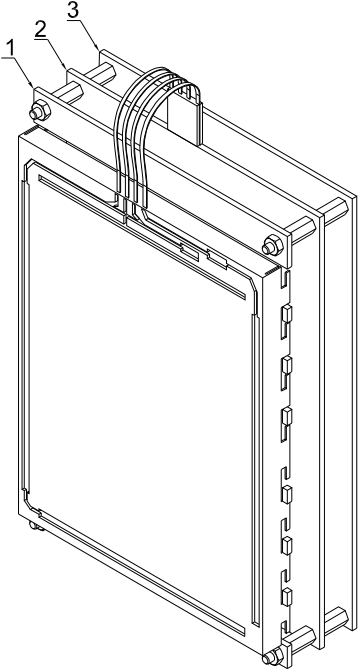
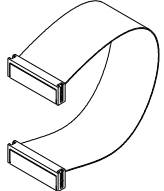
CODE	DESCRIPTION	MODEL	PRICE	DRAWING
0200499	VETRO ESTERNO PORTA VITRE EXTERIEUR PORTE EXTERNAL DOOR GLASS mm 405x300x4	KE234 KE234S		
0200498	VETRO ESTERNO PORTA VITRE EXTERIEUR PORTE EXTERNAL DOOR GLASS mm 372x268x4	NKE234 NKE234S		
0200501	VETRO ESTERNO PORTA VITRE EXTERIEUR PORTE EXTERNAL DOOR GLASS mm 610x470x4	K106		
0200510	VETRO ESTERNO PORTA VITRE EXTERIEUR PORTE EXTERNAL DOOR GLASS mm 610x730x4	K 110 K 210		
0200513	VETRO ESTERNO PORTA VITRE EXTERIEUR PORTE EXTERNAL DOOR GLASS mm 514X470X4	NK 106		
0200515	VETRO ESTERNO PORTA VITRE EXTERIEUR PORTE EXTERNAL DOOR GLASS mm 514X730X4	NK 110/210		
0200561	VETRO ESTERNO PORTA VITRE EXTERIEUR PORTE EXTERNAL DOOR GLASS mm 589X460X4	KP 405 ALUKP405-408 ACUNK106-110-210		
0200550	VETRO ESTERNO PORTA VITRE EXTERIEUR PORTE EXTERNAL DOOR GLASS mm 589X730X4	KP 408		
0200517	VETRO ESTERNO PORTA VITRE EXTERIEUR PORTE EXTERNAL DOOR GLASS mm 514X1214X4	NK 120		

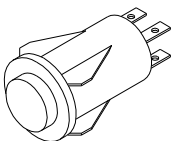
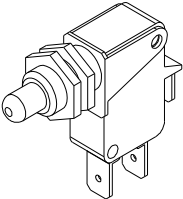
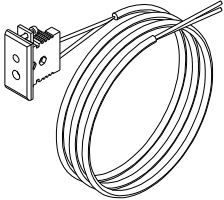
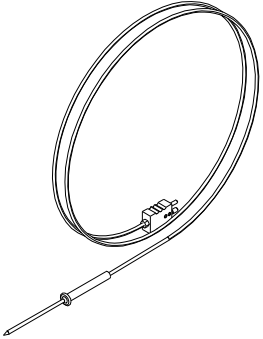
CODE	DESCRIPTION	MODEL	PRICE	DRAWING
0200500	VETRO INTERNO PORTA VITRE INTERIEUR PORTE INNER DOOR GLASS mm 465X360X4	KE234 KE234S NKE234 NKE234S		
0200497	VETRO INTERNO PORTA VITRE INTERIEUR PORTE INNER DOOR GLASS mm 465X360X8	NKE234 NKE234S		
0200502	VETRO INTERNO PORTA VITRE INTERIEUR PORTE INNER DOOR GLASS mm 709x565x5	K 106		
0200511	VETRO INTERNO PORTA VITRE INTERIEUR PORTE INNER DOOR GLASS mm 709x825x5	K 110/210		
0200512	VETRO INTERNO PORTA VITRE INTERIEUR PORTE INNER DOOR GLASS mm 670x580x8	NK 106		
0200514	VETRO INTERNO PORTA VITRE INTERIEUR PORTE INNER DOOR GLASS mm 670x840x8	NK 110/210		
0200562	VETRO INTERNO PORTA VITRE INTERIEUR PORTE INNER DOOR GLASS mm 743x572x8	KP 405		
0200551	VETRO INTERNO PORTA VITRE INTERIEUR PORTE INNER DOOR GLASS mm 743x842x8	KP 408		
0200516	VETRO INTERNO PORTA VITRE INTERIEUR PORTE INNER DOOR GLASS mm 755X1315X8	NK 120		

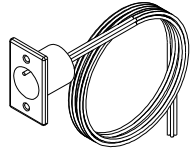
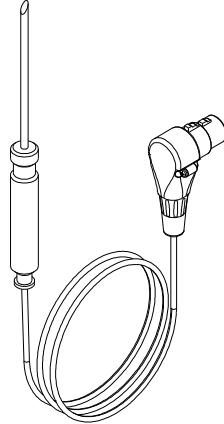
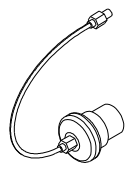
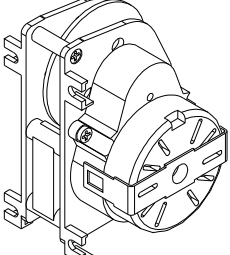
CODE	DESCRIPTION	MODEL	PRICE	DRAWING
0201502	GUARNIZIONE VETRO JOINT DE VITRE GLASS GASKET	KE234 KE234S K 106 K 110 K 210	Per mt.:	
0201504	GUARNIZIONE PORTA JOINT DE PORTE DOOR GASKET	ALL MODELS	Per mt.:	
GUARNPORTA106	GUARNIZIONE PORTA JOUINT DE PORTE DOOR GASKET	OLD MODELS K 106		
GUARNPORTA110	GUARNIZIONE PORTA JOINT DE PORTE DOOR GASKET	OLD MODELS K 110/210		
GUARNCAR120	GUARNIZIONE CARRELLO ESTRAZIONE JOINT CHARIOT EXTRACTION EXTRACTION TROLLEY GASKET	NK 120		
0400501	SILICONE PER ALTE TEMPERATURE SILICONE HAUTE TEMPERATURE HIGH TEMPERATURE SILICONE	ALL MODELS		

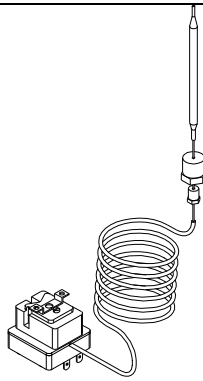
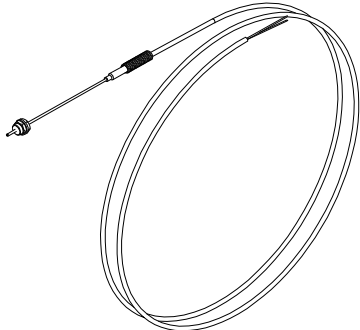
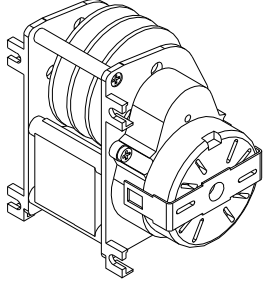
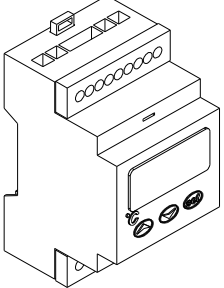
CODE	DESCRIPTION	MODEL	PRICE	DRAWING
0201251	MANOPOLA PER STRUMENTI MECCANICI BOUTON POUR INSTRUMENTS MECANIQUES KNOB FOR MECHANICAL INSTRUMENTS	ALL MODELS		
0201252	MANOPOLA PER SCHEDE ELETTRONICHE BOUTON POUR CARTE ELECTRONIQUE KNOB FOR ELECTRONIC CARD			
0101201	COMMUTATORE TIPO COTTURA SELECTEUR DE CUISSON COOKING MODE SELECTOR	ALL MODELS		
0101202	COMMUTATORE VELOCITA' DI VENTILAZIONE COMMUTATEUR VITESSE DE VENTILATION VENTILATION SPEED SELECTOR	K 106/110/210 A NK 106/110/210/120 A KP 405/408		
0101202	INTERRUTTORE GENERALE INTERRUPTEUR GENERAL MAIN SWITCH	ACNK106-110 ACNK210 ACUNK106-110 ACUNK210 ALUKP405-408		
0101103	TERMOSTATO 30-90 °C THERMOSTAT 30-90 °C THERMOSTAT 30-90 °C	ALL MODELS ACNK106-110 ACNK210		

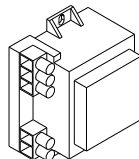
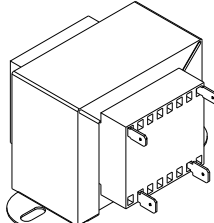
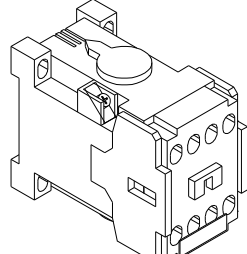
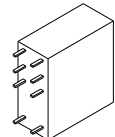
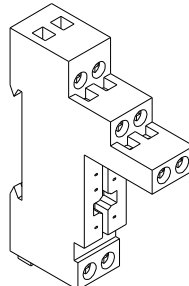
CODE	DESCRIPTION	MODEL	PRICE	DRAWING
0101102	TERMOSTATO 0-270°C THERMOSTAT 0-270°C THERMOSTAT 0-270°C	K-106M K-110M K-210M		
0103101	TIMER MECCANICO MINUTERIE MECANIQUE MECHANICAL TIMER	K-106M K-110M K-210M KE234 KE234S NK-106M NK-110M NK-210M NKE234 NK-120M		
0103351	TELETERMOMETRO THERMOMETRE THERMOMETER	K-106M K-110M K-210M		
0104621	SEGNALATORE NEON VOYANT WARNING LIGHT	K-106A K-110A K-210A NK-106A NK-110A NK-210A KP-405 KP-408 ACNK106-110 ACNK210 ACUNK106-110 ACUNK210 ALUKP405-408 NK-120A		

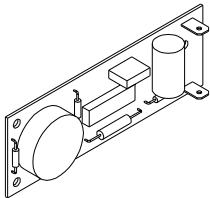
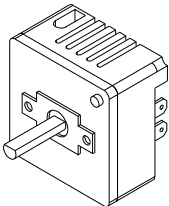
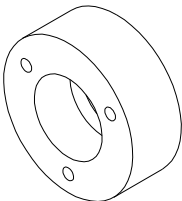
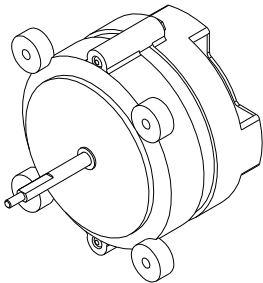
CODE	DESCRIPTION	MODEL	PRICE	DRAWING
0101301	<p>SCHEDA CAMERA / CUORE / TIMER</p> <p>CARD FOR CHAMBER / CORE PROBE / TIMER</p> <p>PLATINE POUR CHAMBRE / SONDE A COEUR / MINUTERIE</p>	<p>KE234</p> <p>KE234S</p> <p>K 106 M-A</p> <p>K 110 M-A</p> <p>K 210 M-A</p> <p>NKE234</p> <p>NKE234S</p> <p>NK 106 M-A</p> <p>NK 110 M-A</p> <p>NK 210 M-A</p> <p>NK 120 M-A</p>		
0101300	<p>SCHEDA CAMERA</p> <p>CARD FOR CHAMBER</p> <p>PLATINE POUR CHAMBRE</p>	<p>KP 405</p> <p>KP 408</p> <p>ALUKP405-408</p> <p>ACUNK106-110</p> <p>ACUNK210</p>		
0101309	<p>SCHEDA PROGRAMMABILE COMPLETA</p> <p>CARTE PROGRAMMABLE COMPLETE</p> <p>COMPLETE PROGRAMMABLE CARD</p>	ALL DIGITAL MODELS		
0101307	<p>1 - SCHEDA VISUALIZZAZIONE</p> <p>CARTE AFFICHAGE</p> <p>DISPLAY CARD</p>	ALL DIGITAL MODELS		
0101305	<p>2 - SCHEDA CPU</p> <p>CARTE CPU</p> <p>CPU CARD</p>	ALL DIGITAL MODELS		
0101306	<p>3 - SCHEDA POTENZA</p> <p>CARTE PUISSANCE</p> <p>POWER CARD</p>	ALL DIGITAL MODELS		
0101308	<p>CAVO PER SCHEDA PROGRAMMABILE</p> <p>CABLE POUR CARTE PROGRAMMABLE</p> <p>CABLE FOR PROGRAMMABLE CARD</p>	ALL DIGITAL MODELS		

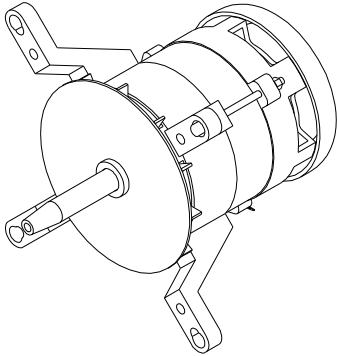
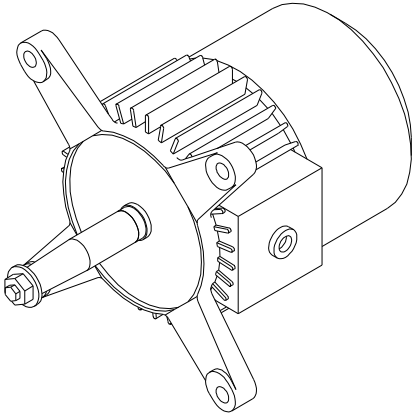
CODE	DESCRIPTION	MODEL	PRICE	DRAWING
0104631	PULSANTE LUMINOSO POUSSOIR LUMINEUX LUMINOUS BUTTON	ALL MODELS		
0104501	MICROINTERRUTTORE PORTA INTERRUPTEUR DE PORTE DOOR SWITCH	ALL MODELS		
0101352	CONNETTORE SONDA AL CUORE CONNECTEUR SONDE A CŒUR CORE PROBE CONNECTOR	ALL MODELS (M – A)		
0101351	SONDA AL CUORE SONDE A COEUR CORE PROBE	ALL MODELS (M – A)		

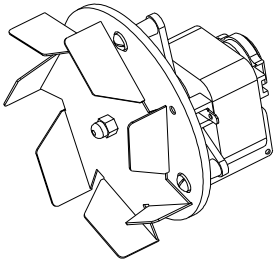
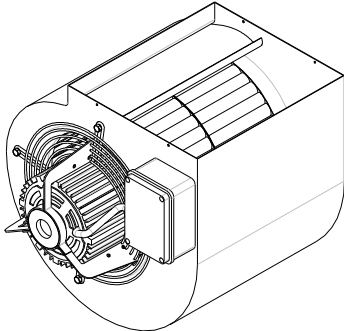
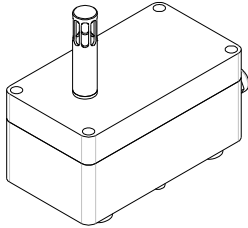
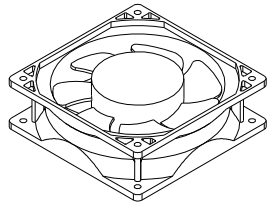
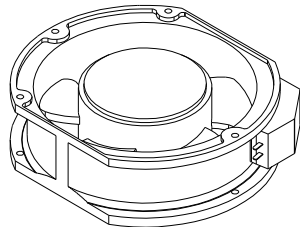
CODE	DESCRIPTION	MODEL	PRICE	DRAWING
0101354	CONNETTORE Sonda AL CUORE CONNECTEUR SONDE A COEUR CORE PROBE CONNECTOR	ALL DIGITAL MODELS		
0101353	SONDA AL CUORE SONDE A COEUR CORE PROBE	ALL DIGITAL MODELS		
0101355	TAPPO CONNETTORE Sonda AL CUORE BOUCHON POUR CONNECTEUR SONDE A CŒUR CAP FOR CORE PROBE CONNECTOR	ALL DIGITAL MODELS		
0103001	PROGRAMMATORE PER EVACUAZIONE VAPORE TEMPORISATEUR POUR EVACUATION VAPEUR STEAM EXHAUST TIMER	ALL DIGITAL MODELS		

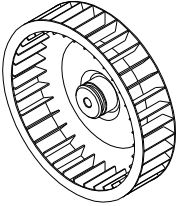
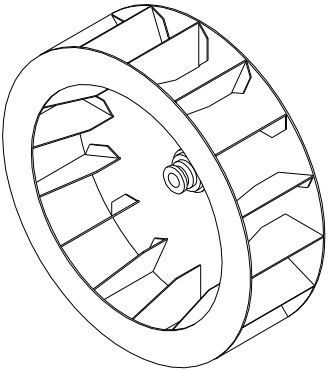
CODE	DESCRIPTION	MODEL	PRICE	DRAWING
0101105	TERMOSTATO DI SICUREZZA THERMOSTAT DE SECURITE SAFETY THERMOSTAT	ALL MODELS		
0101371	SONDA CAMERA SOND E CHAMBRE DE CUISSON COOKING CHAMBER PROBE	ALL MODELS		
0103002	PROGRAMMATORE CICLICO TEMPORISATEUR CYCLIQUE CYCLICAL TIMER	K-106 K-110 K-210 NK-106 NK-110 NK-210 KP-405 KP-408 NK-120		
0103301	TERMOREGOLATORE ELETTRONICO THERMOSTAT ELECTRONIQUE ELECTRONIC THERMOSTAT	K-106M K-110M K-210M		

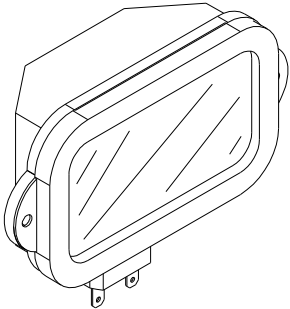
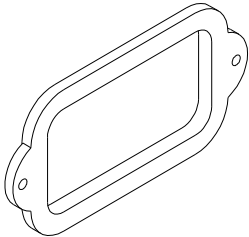
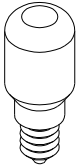
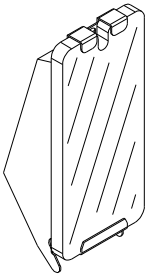
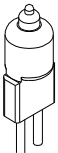
CODE	DESCRIPTION	MODEL	PRICE	DRAWING
0101311	TRASFORMATORE TRANSFORMATEUR TRANSFORMER	KE234 KE234S KE106A KE110A KE210A KG210A NKE234 NKE234S		
0101312	TRASFORMATORE TRANSFORMATEUR TRANSFORMER	NK 106 NK 110 NK 210 KP 405 KP 408 NK 120		
0104701	CONTATTORE CONTACTEUR CONTACTOR	KE234 KE234S KE106 KE110 KE210 NKE234 NKE234S NKE106 NKG/E110 NKG/E210 NKE120		
0100595	RELE' RELAIS RELAY	ALL GAS MODELS		
0100596	ZOCCOLO RELE' SUPPORT RELAIS SOCKET FOR RELAY	ALL GAS MODELS		

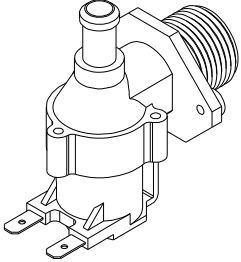
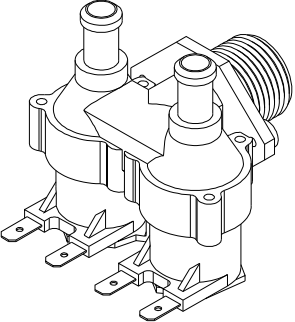

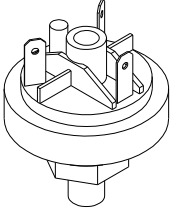
CODE	DESCRIPTION	MODEL	PRICE	DRAWING
0103201	SUONERIA ELETTRONICA SONNERIE ELECTRONIQUE ELECTRONIC BUZZER	K-106M K-110M K-210M KE234 KE234S NK-106M NK-110M NK-210M NKE234 NK-120M		
0101250	PROGRAMMATORE UMIDIFICATORE PROGRAMMATEUR HUMIDIFICATEUR HUMIDIFIER PROGRAMMER	ALL MODELS with steam condenser		
0250513	BOCCOLA TENUTA ALBERO MOTORE JOINT POUR ARBRE DU MOTEUR RING FOR MOTOR SHAFT	K-106 K-110		
0250514	BOCCOLA TENUTA ALBERO MOTORE JOINT POUR ARBRE DU MOTEUR RING FOR MOTOR SHAFT	K-210		
0101511	MOTORE MONOFASE MOTEUR MONOPHASE SINGLE-PHASE MOTOR KW 0.12 230V~ 50/60 Hz	KE234 KE234S NKE234 NKE234S		

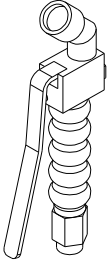
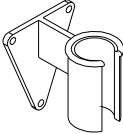
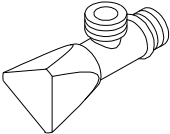
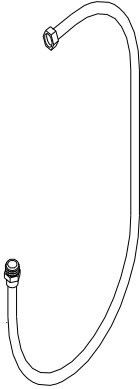
CODE	DESCRIPTION	MODEL	PRICE	DRAWING
0101501	MOTORE MONOFASE 4P MOTEUR MONOPHASE 4P SINGLE-PHASE MOTOR 4P KW 0.25 230V~ 50/60 Hz	K-106M K-110M NK-106M		
0101502	MOTORE MONOFASE 4/6P MOTEUR MONOPHASE 4/6P SINGLE-PHASE MOTOR 4/6P KW 0.25 / 0.07 230V~ 50/60 Hz	K-106A K-110A NK-106A		
0101509	MOTORE MONOFASE 4/6P MOTEUR MONOPHASE 4/6P SINGLE-PHASE MOTOR 4/6P KW 0.55 220- 240V~ 50/60 Hz	NK-110M NK-120M		
0101508	MOTORE MONOFASE 4/6P MOTEUR MONOPHASE 4/6P SINGLE-PHASE MOTOR 4/6P KW 0.55 /0.185 230-240V~ 50/60 Hz	NK-110A KP-405 NK-120A		
0101506	MOTORE MONOFASE 4P MOTEUR MONOPHASE 4P SINGLE-PHASE MOTOR 4P Hp1 230V~ 50/60 Hz	K-210M NK210M		
0101507	MOTORE MONOFASE 4/6P MOTEUR MONOPHASE 4/6P SINGLE-PHASE MOTOR 4/6P Hp1 / 0.3 230V~ 50/60 Hz	K-210A NK210A KP-408		

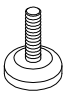
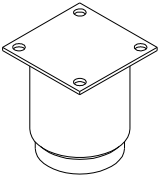

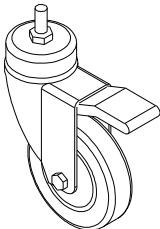
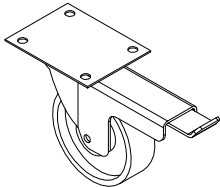
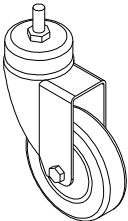
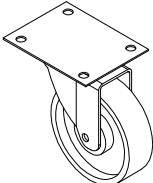
CODE	DESCRIPTION	MODEL	PRICE	DRAWING
0101510	MOTORE MONOFASE MOTEUR MONOPHASE SINGLE-PHASE MOTOR KW 0.35 230V~ 50/60 Hz	ACNK106-110 ACNK210 ACUNK106-110 ACUNK210 ALUKP405-408		
0101515	MOTORE MONOFASE MOTEUR MONOPHASE SINGLE-PHASE MOTOR KW 0.55 230V~ 50Hz	CAPPA ASPIRAZIONE EXTRACTOR HOOD HOTTE D'ASPIRATION CAPPANK 106-110 CAPPAKP 405-408-120		
0101514	SENSORE UMIDITA' CAPTEUR HUMIDITE HUMIDITY SENSOR	CAPPA ASPIRAZIONE EXTRACTOR HOOD HOTTE D'ASPIRATION CAPPANK 106-110 CAPPAKP 405-408-120		
0101512	VENTOLA DI ASPIRAZIONE HELICE D'ASPIRATION EXTRACTOR FAN	NK-106 KP-405		
0101513	VENTOLA DI ASPIRAZIONE HELICE D'ASPIRATION EXTRACTOR FAN	NK-110 KP-408 NK-120		

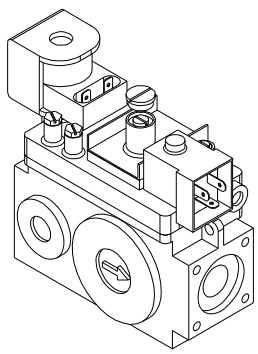
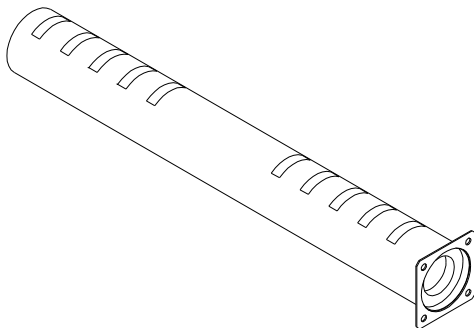
CODE	DESCRIPTION	MODEL	PRICE	DRAWING
0202500	GIRANTE HELICE FAN Ø160	KE234 KE234S NKE234 NKE234S		
0202501	GIRANTE HELICE FAN Ø260	K-106 K-110		
0202499	GIRANTE HELICE FAN Ø270	NK-106 KP-405		
0202504	GIRANTE HELICE FAN Ø300	NK-110 NK-120		
0202503	GIRANTE HELICE FAN Ø350-12	K-210 NK-210		
0202505	GIRANTE HELICE FAN Ø350-24	KP-408		

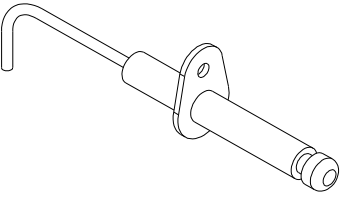
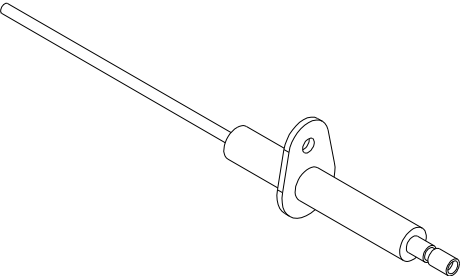
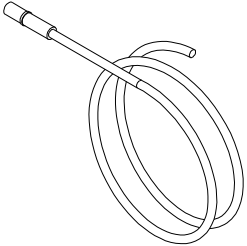
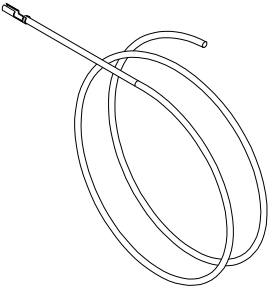
CODE	DESCRIPTION	MODEL	PRICE	DRAWING
0104601	PORTALAMPADA COMPLETO PORTE-LAMPE COMPLET COMPLETE BULB HOLDER	ALL MODELS K NKE234 NKE234S		
0104612	GUARNIZIONE PORTALAMPADA JOINT PORTE-LAMPE BULB HOLDER GASKET	ALL MODELS K NKE234 NKE234S		
0104611	LAMPADA AMPOULE BULB 25W	ALL MODELS K NKE234 NKE234S		
0104618	PORTALAMPADA COMPLET PORTE-LAMPE COMPLET COMPLETE BULB HOLDER	NK106 NK110 NK210 KP405 KP408 NK120		
0104619	LAMPADA ALOGENA AMPOULE HALOGENE HALOGEN BULB 20W	NK106 NK110 NK210 KP405 KP408 NK120		

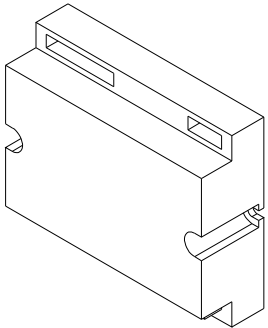
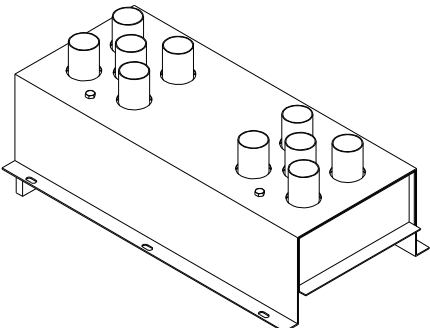
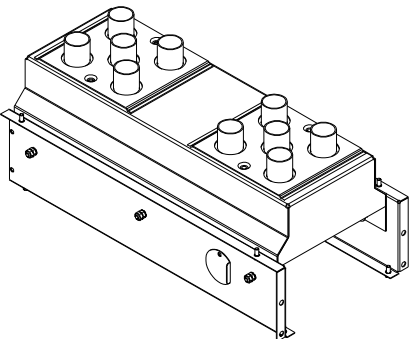
CODE	DESCRIPTION	MODEL	PRICE	DRAWING
0102001	ELETTROVALVOLA ELECTROVANNE SOLENOID VALVE 15 l/h	ALL MODELS		
0102002	ELETTROVALVOLA 2 VIE ELECTROVANNE SOLENOID VALVE 15 l/h	KP 405 KP 408		
0102011	UGELLO PER ELETTROVALVOLA GICLEUR POUR ELECTROVANNE NOZZLE FOR SOLENOID VALVE 0.25 l/min.	K / NK-234 106- 110-120		
0102012	UGELLO PER ELETTROVALVOLA GICLEUR POUR ELECTROVANNE NOZZLE FOR SOLENOID VALVE 0.41 l/min.	K / NK-210		
0101395	PRESSOSTATO PRESSOSTAT PRESSURE SWITCH	K-106A K-110A K-210A NK-106A NK-110A NK-210A KP-405 KP-408 NK-120A		

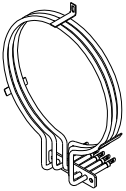
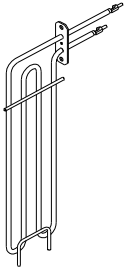
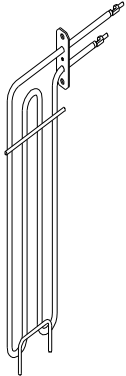
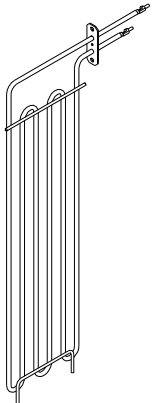
CODE	DESCRIPTION	MODEL	PRICE	DRAWING
0203210	TESTA DOCCIA TETE DOUCHE SHOWER HEAD	ALL MODELS		
0203212	SUPPORTO DOCCIA SUPPORT DOUCHE SHOWER SUPPORT	ALL MODELS		
0203213	RUBINETTO DOCCIA ROBINET DOUCHE SHOWER TAP	ALL MODELS		
0203211	TUBO FLESSIBILE DOCCIA TUYAU FLEXIBLE DOUCHE SHOWER HOSE	ALL MODELS		

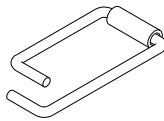
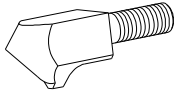
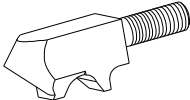
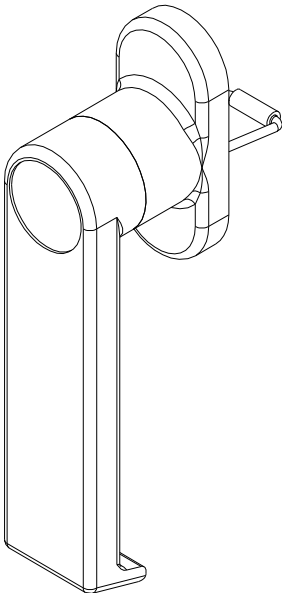
CODE	DESCRIPTION	MODEL	PRICE	DRAWING
0203100	PIEDE FORNO PIED FOUR OVEN FOOT	KE234 KE234S NKE234 NKE234S		
0203101	PIEDE FORNO PIED FOUR OVEN FOOT	K106/110/210 NK106/110/210 KP 405/408		
0203103	PIEDE FORNO PIED FOUR OVEN FOOT	NK120		
0203102	PIEDE SUPPORTO PIED SUPPORT FLOOR STAND FOOT	ALL MODELS		
0203152	RUOTA CON FRENO h100 ROUE AVEC FREIN h100 WHEEL WITH BRAKE h100	ALL MODELS		
0203154	RUOTA CON FRENO ROUE AVEC FREIN WHEEL WITH BRAKE	NK 120		
0203151	RUOTA SENZA FRENO h100 ROUE SANS FREIN h100 WHEEL WITHOUT BRAKE h100	ALL MODELS		
0203153	RUOTA SENZA FRENO ROUE SANS FREIN WHEEL WITHOUT BRAKE	NK 120		

CODE	DESCRIPTION	MODEL	PRICE	DRAWING
0150541	VALVOLA GAS SOUPAPE GAZ GAS VALVE	ALL GAS MODELS		
0150531	BRUCIATORE BRULEUR BURNER	KG106 KG110 NKG106 KPG405		
0150533	BRUCIATORE BRULEUR BURNER	NKG110 KPG408		
0150532	BRUCIATORE BRULEUR BURNER	KG210 NKG210		

CODE	DESCRIPTION	MODEL	PRICE	DRAWING
0150566	ELETTRODO ACCENSIONE ELECTRODE D'ALLUMAGE IGNITION ELECTRODE	ALL GAS MODELS		
0150571	ELETTRODO RIVELAZIONE FIAMMA ELECTRODE DE DETECTION FLAMME BLAZE DETECTION ELECTRODE	ALL GAS MODELS		
0150557	CAVO ELETTRODO ACCENSIONE CABLE ELECTRODE ALLUMAGE CABLE FOR IGNITION ELECTRODE	ALL GAS MODELS		
0150561	CAVO ELETTRODO RIVELAZIONE FIAMMA CABLE ELECTRODE DE DETECTION FLAMME CABLE FOR BLAZE DETECTION ELECTRODE	ALL GAS MODELS		

CODE	DESCRIPTION	MODEL	PRICE	DRAWING
0150551	CENTRALINA CONTROLE DE FLAMME IGNITION BOX	ALL GAS MODELS		
0150505	CAMERA DI COMBUSTIONE CHAMBRE DE COMBUSTION COMBUSTION CHAMBER	KG106 KG110		
0150506	CAMERA DI COMBUSTIONE CHAMBRE DE COMBUSTION COMBUSTION CHAMBER	KG210 NKG210		
0150507	CAMERA DI COMBUSTIONE CHAMBRE DE COMBUSTION COMBUSTION CHAMBER	NKG106 NKG110 KPG405 KPG408		

CODE	DESCRIPTION	MODEL	PRICE	DRAWING
0101004	RESISTENZA RESISTENCE RESISTOR 3900W-230V	KE234 KE234S NKE234 NKE234S ACNK106-110 ACNK210 ACUNK106-110 ACUNK210 ALUKP405-408		
0101001	RESISTENZA RESISTENCE RESISTOR 1500W-230V	KE106 NKE106 KPE 405		
0101002	RESISTENZA RESISTENCE RESISTOR 2500W-230V	KE110 NKE110 KPE 408 NKE120		
0101003	RESISTENZA RESISTENCE RESISTOR 3500W-230V	KE210 NKE210		

CODE	DESCRIPTION	MODEL	PRICE	DRAWING
0201213	MOLLA CHIUSURA RESSORT DE FERMETURE CLOSURE SPRING	ALL MODELS		
0201212	NASELLO A SINGOLO SGANCIO MENTONNET A DECROCHAGE SIMPLE SIMPLE RELEASE CATCH	ALL MODELS		
0201211	NASELLO A DOPPIO SGANCIO MENTONNET A DOUBLE DECROCHAGE DOUBLE RELEASE CATCH	ALL MODELS		
0201210	CHIUSURA FERMETURE CLOSURE	ALL MODELS		

KELVIN S.r.l.

Via Roma, 117

26862 GUARDAMIGLIO (LO) Italy

Tel. +39-0377.452698 – 452740

Fax +39-0377.519230

e-mail: kelvin@kelvinsrl.com

